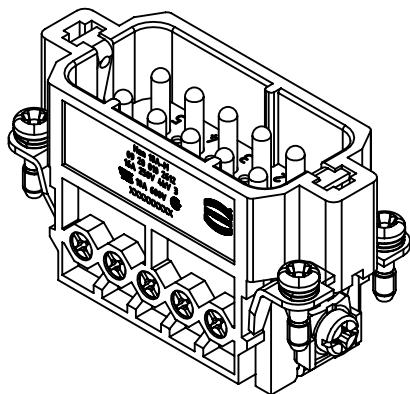
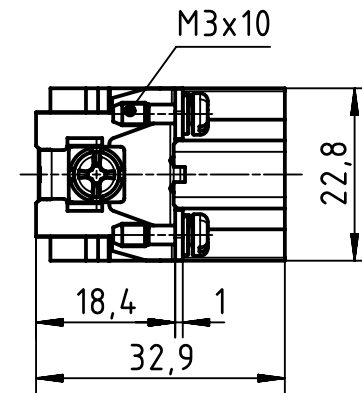
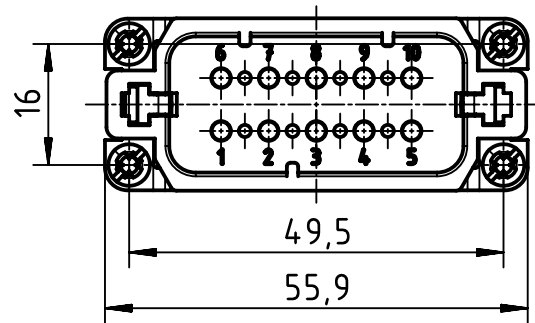
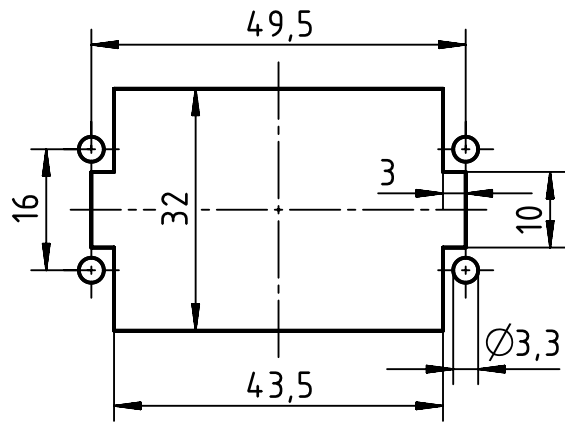



1 2 3 4 5 6

A
B
C
D

panel cut out



	All rights reserved Department EL PD	All Dimensions in mm Original Size DIN A4	Scale 1:1	Free size tol.	Ref.	
		HARTING D-32339 Espelkamp	Created by 100887	Inspected by RIEPE	Standardisation 302077	Date 2021-02-17
Title Han 10A-M-s					Doc-Key / ECM-Nr. 100087389/UGD/005/E 500000189522	
			Type TB	Number 09 20 010 2612	Rev. E	Page 1/1